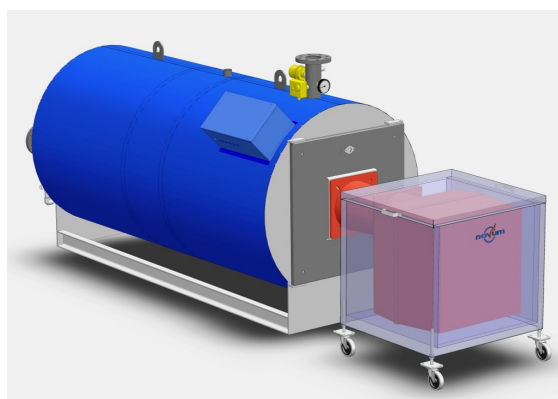


# Novumax H<sub>2</sub>R 375–1050

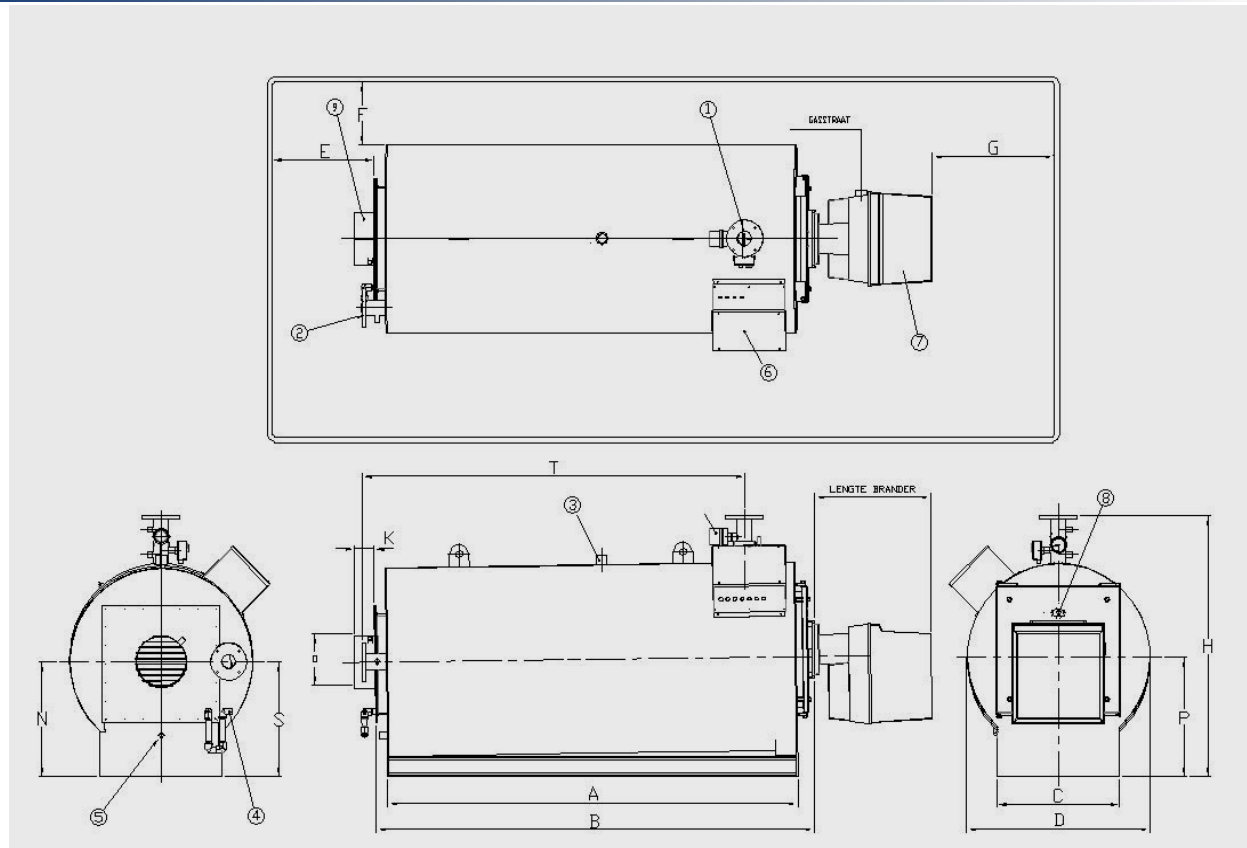
Technical data



Novumax H <sub>2</sub> R		375	475	625	825	1050
Nom. heat output (80° - 60°C)	[kW]	375	475	625	825	1050
Nom. heat output (50° - 30°C)	[kW]	407	516	679	898	1142
Nom. heat input (o.w.)	[kW]	388	492	647	855	1088
Gas consumption	[nm <sup>3</sup> /hr]	44.4	56.2	74.1	97.9	124.4
Flue gas mass flow (λ=1.2)	[kg/hr]	633	801	1055	1396	1773
Pressure drop flue gas (λ=1.2)	[mbar]	3.0	4.0	4.5	5.5	6.0
Standby loss (70°C)	[W]	1200	1200	1500	1650	1900
Eff. full load (80°-60°C)	[%]	96.5	96.5	96.5	96.5	96.5
Eff. part load (67°-60°C)	[%]	97.5	97.5	97.5	97.5	97.5
Eff. part load (37°-30°C)	[%]	108	108	108	108	108
Water resistance, ΔT=20K	[mbar]	50	70	65	75	125
Min. waterflow	[m <sup>3</sup> /hr]	9	12	16	22	29
Max. waterflow	[m <sup>3</sup> /hr]	26	32	43	58	72
Boiler weight, empty	[kg]	565	600	850	975	1150
Watercontent	[m <sup>3</sup> ]	0.35	0.39	0.68	0.74	1.09
Flue gas volume	[m <sup>3</sup> ]	0.40	0.44	0.67	0.89	1.05
Max. operating pressure *	[bar]	6	6	6	6	6
Min. operating pressure	[bar]	0.8	0.8	0.8	0.8	0.8
Diameter combustion chamber	mm	544	544	634	714	714
Length combustion chamber	mm	1300	1472	1650	1800	2120
Length burner head	mm	150-250	150-250	150-250	150-250	150-250
Max. operating temperature *	[°C]	95	95	95	95	95
Safety temperature	[°C]	110	110	110	110	110
Min. water inlet temperature	[°C]	30	30	30	30	30
Flue gas temperature min-max.	[°C]	30-120	30-120	30-120	30-120	30-120
Heating water return-supply PN16	DN	65	65	80	80	100
Connection safety valve		1½"	1½"	1½"	2"	2"
Fill- / drain valve		¾"	¾"	¾"	¾"	¾"
Connection condensate		¾"	¾"	¾"	¾"	¾"
Max. resistance flue gas channel, (depends on burnertype)	mbar	<2,5	<2,5	<2,5	<2,5	<2,5

# Novumax H<sub>2</sub>R 375–1050

Dimensions



Novumax H <sub>2</sub> R			375	475	625	825	1050
A	Length boilerframe	mm	1812	2012	2192	2342	2662
B	Length boiler	mm	2062	2255	2435	2590	2910
C	Width boilerframe	mm	600	600	700	800	850
D	Width boiler (excl. switchbox)	mm	900	900	1060	1120	1190
E	Space behind boiler, min.*	mm	500	500	500	500	500
F	Space next to boiler, min.	mm	300	300	300	300	300
G	Space before burner, min.	mm	600	600	800	800	800
H	Height boiler	mm	1250	1250	1415	1485	1550
K	Length fluegas connection	mm	100	100	100	100	100
N	Height fluegas connection	mm	550	550	630	670	700
O	Flue gas connection, o.d.	mm	254	254	254	254	304
P	Height burner connection	mm	575	575	660	700	730
R	Width return connection	mm	330	330	395	425	455
S	Height return connection	mm	550	550	630	670	700
T	Distance return - supply	mm	1675	1875	2050	2200	2525
1	Supply connection PN16	DN	65	65	80	80	100
2	Return connection PN16	DN	65	65	80	80	100
3	Connection safety valve	DN	1½"	1½"	1½"	1½"	2"
4	Connection condensate	inw.	¾"	¾"	¾"	¾"	¾"
5	Fill-/drain valve	inw.	¾"	¾"	¾"	¾"	¾"
6	Switch box						
7	Burner						
8	Sight glass						