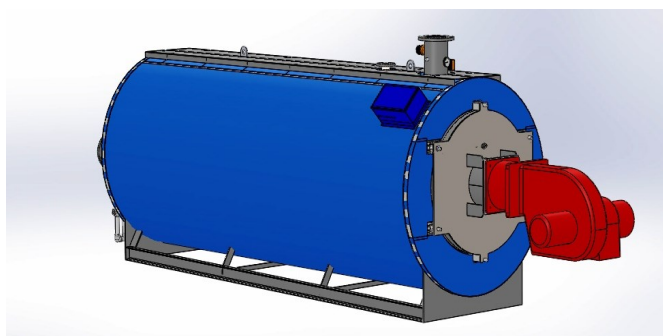


# Novumax H<sub>2</sub>R 1250–6000

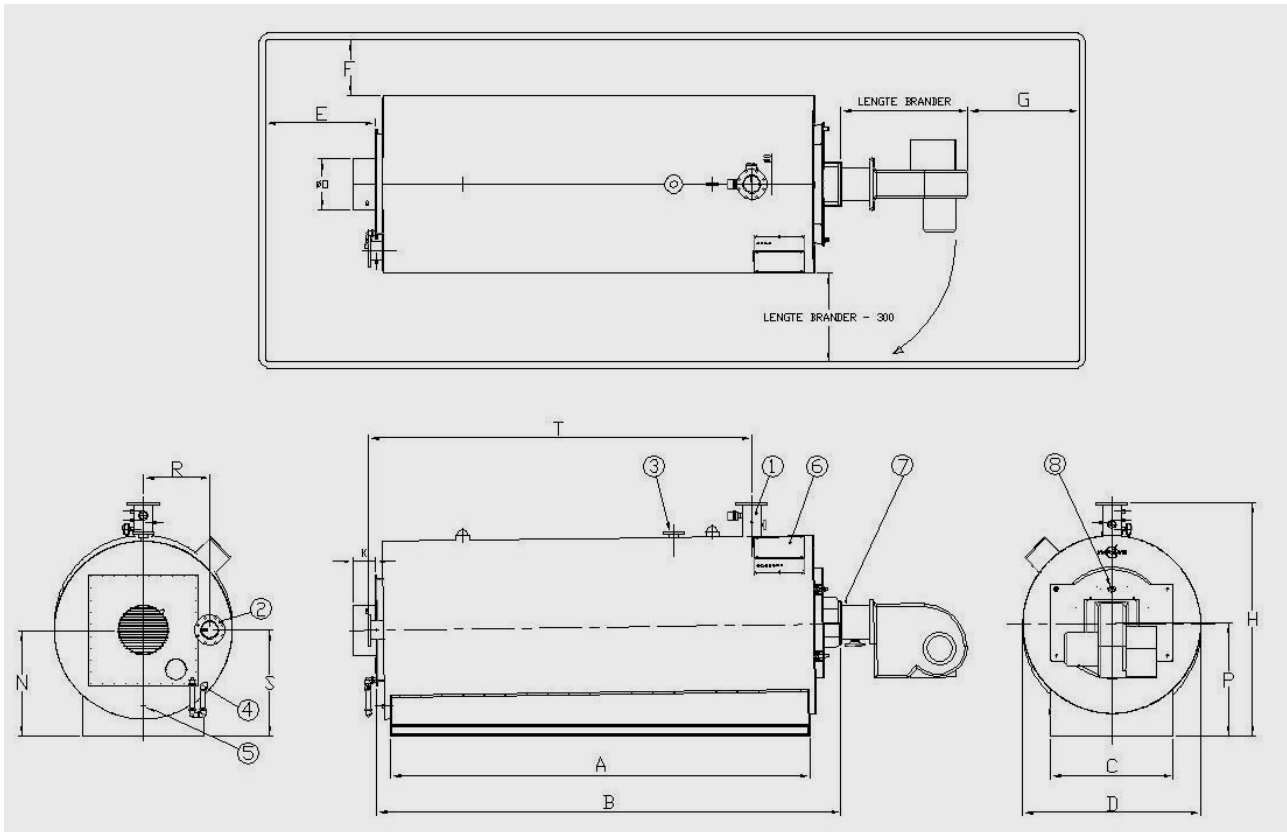
Technical data



Novumax H <sub>2</sub> R		1250	1500	2000	2500	3000	3500	4000	5000	6000
Nom. heat output (80°-60°C)	[kW]	1250	1500	2000	2500	3000	3500	4000	5000	6000
Nom. heat output (50°-30°C)	[kW]	1359	1631	2175	2719	3264	3807	4352	5440	6527
Nom. heat input	[kW]	1295	1554	2072	2590	3108	3626	4145	5181	6217
Gas consumption	[nm <sup>3</sup> /hr]	148	178	237	296	355	415	474	592	711
Flue gas mass flow (λ=1.2)	[kg/hr]	2110	2533	3377	4221	5065	5910	6754	8443	10131
Pressure drop flue gas (λ=1.2)	[mbar]	6.0	6.5	7.0	7.5	8.0	8.5	9.0	9.5	10.0
Standby loss (70°C)	[W]	1600	1800	2400	2750	3000	3500	3800	4200	4600
Eff. full load (80°-60°C)	[%]	96.5	96,5	96.5	96.5	96.5	96.5	96.5	96.5	96.5
Eff. part load (67°-60°C)	[%]	97.5	97.5	97.5	97.5	97.5	97.5	97.5	97.5	97.5
Eff. part load (37°-30°C)	[%]	108	108	108	108	108	108	108	108	108
Water resistance, ΔT=20K	[mbar]	135	165	180	220	260	320	250	300	400
Min. waterflow (<30%-100%)	[m <sup>3</sup> /hr]	12-24	15-28	22-38	26-48	30-57	34-68	38-78	42-96	46-115
Max. waterflow	[m <sup>3</sup> /hr]	63	75	100	125	150	175	200	250	300
Boiler weight, empty	[kg]	1760	2150	2640	3070	3550	4400	5220	5900	7150
Watercontent	[m <sup>3</sup> ]	1.3	2.0	2.7	3.1	3.6	4.4	5.3	7.2	8.4
Flue gas volume	[m <sup>3</sup> ]	1.4	1.6	2.0	2.5	3.3	4.4	4.8	5.8	7.1
Max. operating pressure *	[bar]	6	6	6	6	6	6	6	6	6
Min. operating pressure	[bar]	0.8	0.8	0.8	0.8	0.8	0.8	0.8	0.8	0.8
Diameter combustion chamber	mm	780	820	880	930	1026	1122	1122	1172	1252
Length combustion chamber	mm	2205	2295	2555	2905	3155	3705	4005	4355	4705
Length burner head	mm	220-400	220-400	250-400	250-400	250-400	250-450	250-450	250-450	250-450
Max. operating temperature *	[°C]	95	95	95	95	95	95	95	95	95
Safety temperature	[°C]	110	110	110	110	110	110	110	110	110
Min. water inlet temperature	[°C]	30	30	30	30	30	30	30	30	30
Flue gas temperature min-max.	[°C]	30-120	30-120	30-120	30-120	30-120	30-120	30-120	30-120	30-120
Heating water return—supply PN16	DN	125	125	150	150	150	200	200	200	200
Connection safety valve		2"	2"	DN65	DN65	DN80	DN80	DN80	DN100	DN100
Fill- / drain valve		¾"	¾"	¾"	¾"	¾"	¾"	¾"	¾"	¾"
Connection condensate		1¼"	1¼"	1¼"	1¼"	1¼"	1¼"	1¼"	1¼"	1¼"
Max. resistance flue gas channel, (depends on burnertype)	mbar	<4	<4	<4	<4	<4	<4	<4	<4	<4

# Novumax H<sub>2</sub>R 1250–6000

Dimensions



Novumax H <sub>2</sub> R			1250	1500	2000	2500	3000	3500	4000	5000	6000
A	Length boilerframe	mm	2866	2995	3420	3770	4020	4575	4875	5225	5575
B	Length boiler	mm	3350	3450	3980	4280	4530	5080	5430	5880	6180
C	Width boilerframe	mm	900	1000	1050	1100	1200	1300	1350	1400	1500
D	Width boiler (excl. switchbox)	mm	1300	1450	1550	1600	1700	1800	1850	2000	2100
E	Space behind boiler, min. *	mm	800	800	800	800	800	800	800	800	800
F	Space next to boiler, min.	mm	300	300	300	300	300	300	300	300	300
G	Space before burner, min.	mm	800	800	800	800	800	800	800	800	800
H	Height boiler	mm	1750	1900	2050	2100	2200	2250	2400	2600	2700
K	Length flue gas connection	mm	150	150	150	150	150	150	150	150	150
N	Height flue gas connection	mm	750	825	925	950	1000	1000	1050	1150	1200
O	Flue gas connection, o.d.	mm	304	354	404	454	504	504	554	604	654
P	Height burner connection	mm	845	915	1010	1015	1080	1095	1125	1200	1250
R	Width return connection	mm	490	535	575	600	650	680	710	760	810
S	Height return connection	mm	750	825	925	950	1000	1000	1050	1150	1200
T	Distance return - supply	mm	2750	2875	3300	3500	3750	4325	4750	5100	5450
1	Supply connection PN16	DN	125	125	150	150	150	200	200	200	200
2	Return connection PN16	DN	125	125	150	150	150	200	200	200	200
3	Connection safety valve	DN	2"	2"	65	65	80	80	80	100	100
4	Connection condensate	inw.	1¼"	1¼"	1¼"	1¼"	1¼"	1¼"	1¼"	1¼"	1¼"
5	Fill-/drain valve	inw.	¾"	¾"	¾"	¾"	¾"	¾"	¾"	¾"	¾"
6	Switch box										
7	Burner										
8	Sight glass										